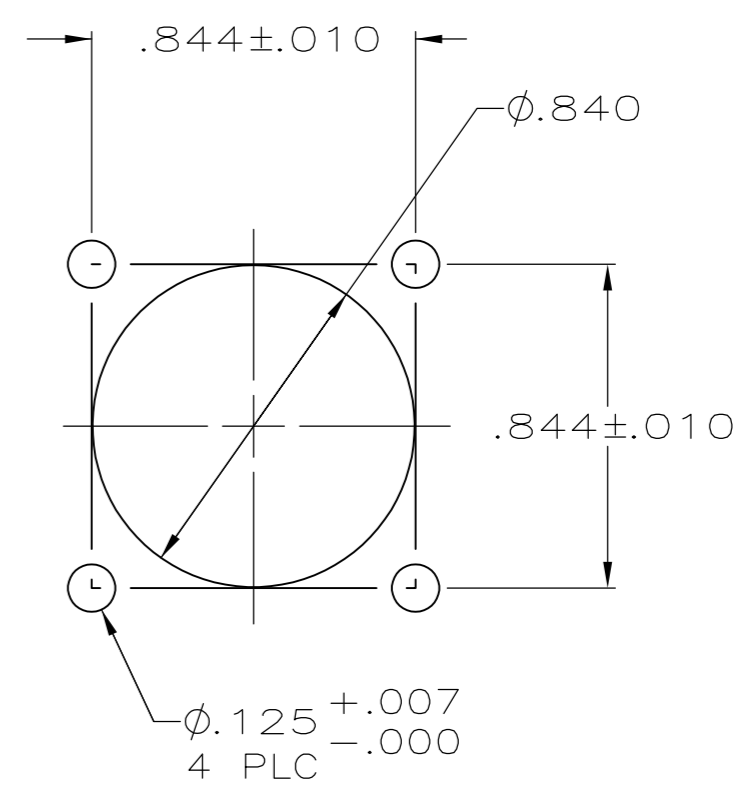
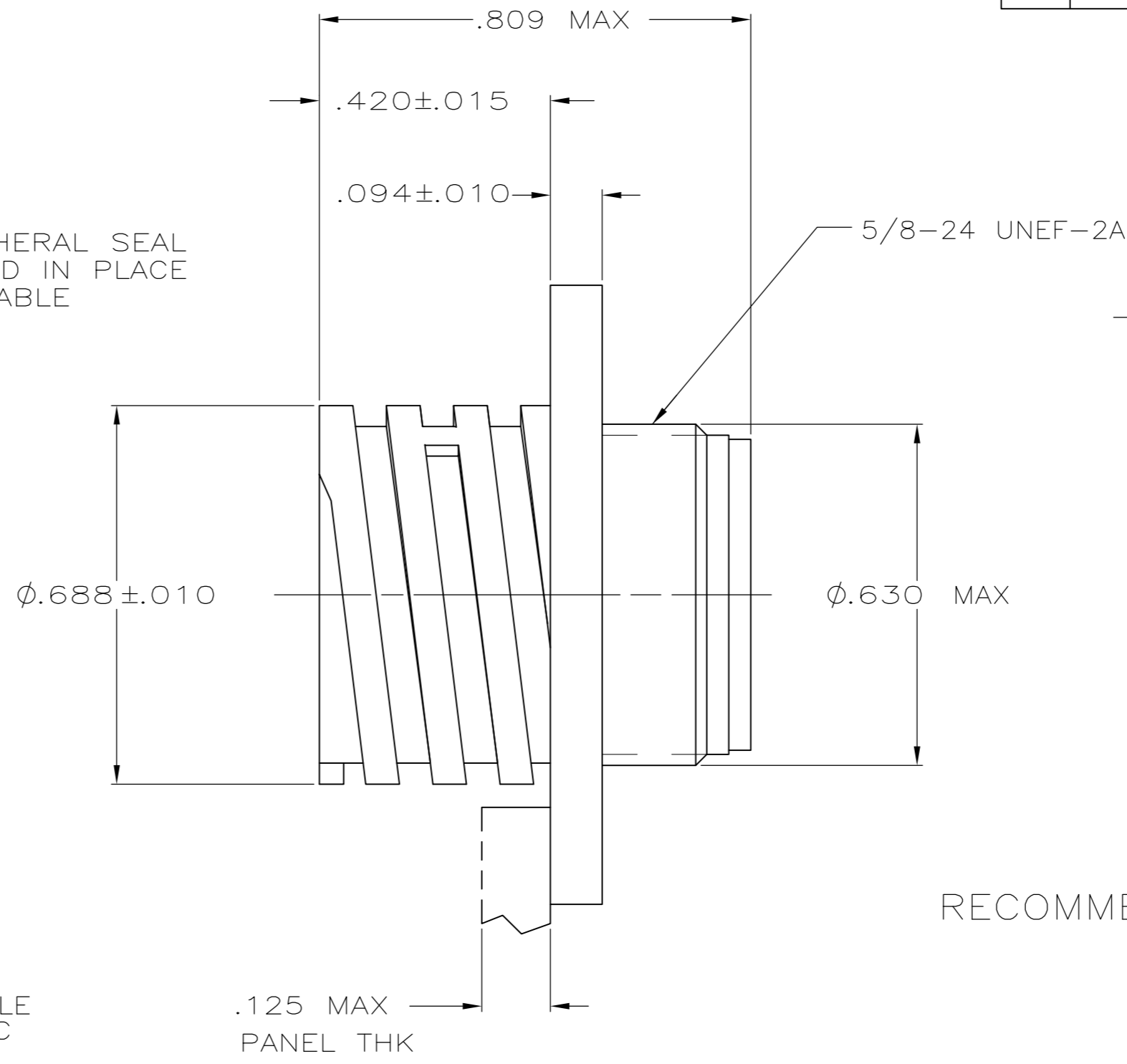
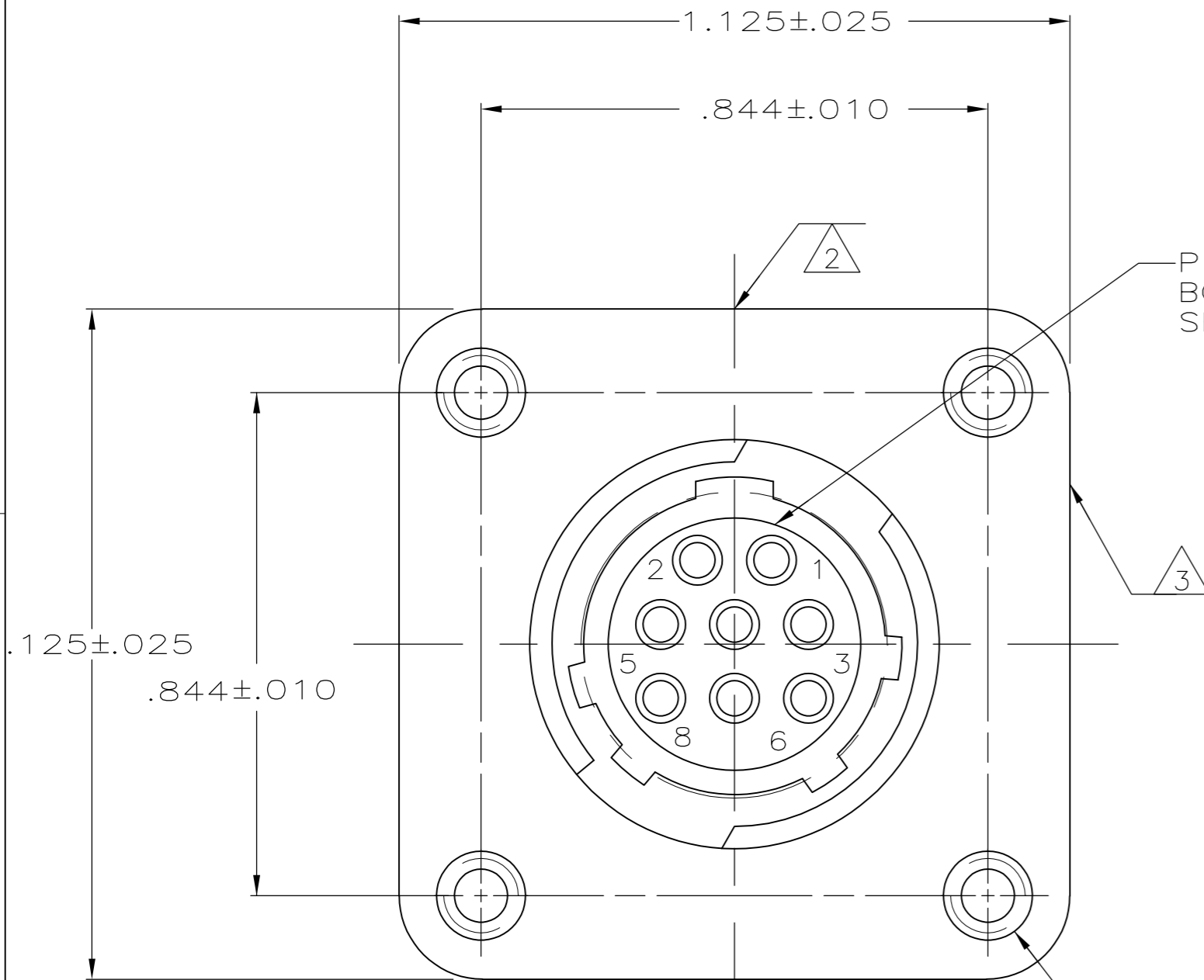
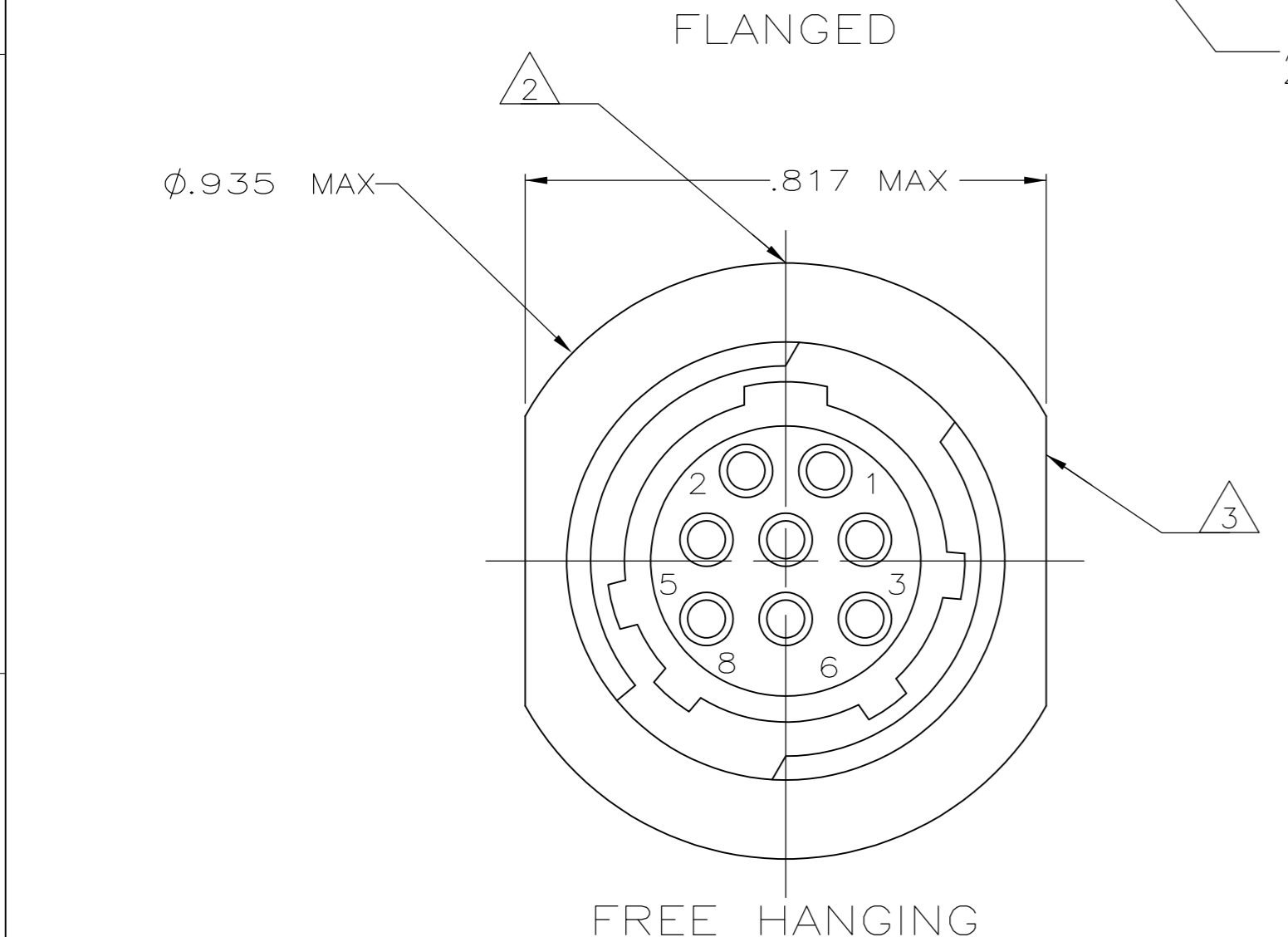


THIS DRAWING IS UNPUBLISHED. RELEASED FOR PUBLICATION
 © COPYRIGHT BY TYCO ELECTRONICS CORPORATION. ALL INTERNATIONAL RIGHTS RESERVED.

LOC		DIST		REVISIONS			
P	LTR	DESCRIPTION		DATE	DWN	APVD	
FT	0	H1	REVISED PER ECO-08-022191		17SEP08	HMR	BC



RECOMMENDED PANEL CUTOUT
SCALE 2:1



FREE HANGING

STANDARD	YES	4-40 BRASS THREADED INSERT	20	FLANGED	206433-6
SMALL PACK	NO	.125 DIA	20	FLANGED	206433-5
STANDARD	NO	.125 DIA	20DF WITHOUT INSULATION SUPPORT	FLANGED	△5 206433-4
STANDARD	NO	4-40 BRASS THREADED INSERT	20	FLANGED	206433-3
STANDARD	NO	-	20	FREE HANGING	206433-2
STANDARD	NO	.125 DIA	20	FLANGED	206433-1
PACKAGING	PERIPHERAL SEAL	A	WILL ACCEPT SOCKET CONTACT SIZE	TYPE	PART NUMBER

- 1 CONTACT CAVITIES IDENTIFIED BY CHARACTERS ON FRONT AND REAR FACE.
- △2 AMP MOLDED ON THIS SURFACE.
- △3 PART NUMBER AND DATE CODE MARKED ON THIS SURFACE.
- 4 206433-4 STRIPPED WIRE LENGTH SHOULD BE .193-.213 WITH .095 MAX INSULATION.
- △5 OBSOLETE PART NUMBER.

THIS DRAWING IS A CONTROLLED DOCUMENT.

DIMENSIONS: INCHES	TOLERANCES UNLESS OTHERWISE SPECIFIED:	DWN J.McCLINTON 1-25-88	Tyco Electronics Corporation Harrisburg, PA 17105-3608
	0 PLC ± - 1 PLC ± - 2 PLC ± - 3 PLC ± .005 4 PLC ± - ANGLES ± -	CHK R.STONE 1-26-88	
		APVD M.KAPEZYNSKI 1-27-88	
		PRODUCT SPEC	
MATERIAL NYLON, GLASS FILLED, FLAME RETARDED, BLACK	FINISH -	NAME	RECEPTACLE ASSEMBLY, ARRANGEMENT 11-8 REVERSE SEX, CPC
		APPLICATION SPEC	SIZE A2
		WEIGHT -	CAGE CODE 00779
		CUSTOMER DRAWING	DRAWING NO C=206433
		SCALE 4:1	SHEET 1 OF 1
		REV H1	RESTRICTED TO -